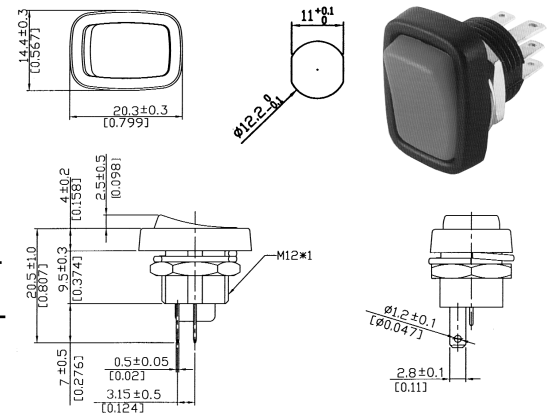


RECTANGULAR BEZEL ROUND ROCKER SWITCHES

Current Rating:	3A 250VAC, 6A 125VAC
Initial Contact Resistance:	<50Meg Ohms @12VDC
Insulation Resistance:	>100Meg Ohms
Dielectric Strength (Open Contacts):	>1000V for 1 minute
Contact Material:	Silver Plated Brass
Terminal Material:	Copper Alloy
Body Material:	Nylon (UL 94V-2)
Actuator & Bezel:	Nylon (UL 94V-2)
Terminal Type:	.110" Quick Connect
Mounting Hardware:	M20-P1.0

Part No.	Type	Action	Actuator
30-16150	SPST	On-Off	Black Actuator
30-16155	SPDT	On-On	Black Actuator
30-16160	DPST	On-Off	Black Actuator

Panel Cut-out: 12.2mm (.48")
Maximum Panel thickness 6.0 mm



Current Rating:	6A 250VAC, 10A 125VAC
Initial Contact Resistance:	<50Meg Ohms @12VDC
Insulation Resistance:	>100Meg Ohms
Dielectric Strength (Open Contacts):	>1500V for 1 minute
Contact Material:	Silver Plated Brass
Terminal Material:	Copper Alloy
Body Material:	Nylon (UL 94V-2)
Actuator & Bezel:	Nylon (UL 94V-2)
Terminal Type:	.187" Quick Connect

Part No.	Type	Action	Actuator
30-16060	SPST	On-Off	Bi-Color Actuator
30-16062	SPST	(On)-Off	Black Actuator
30-16066	SPST	On-(Off)	Black Actuator
30-16068	SPDT	On-(On)	Black Actuator
30-16110	SPDT	On-Off-(On)	Black Actuator
30-16070	SPDT	On-On	Black Actuator
30-16072	SPDT	On-Off-On	Black Actuator
30-16074	SPDT	(On)-Off-(On)	Black Actuator

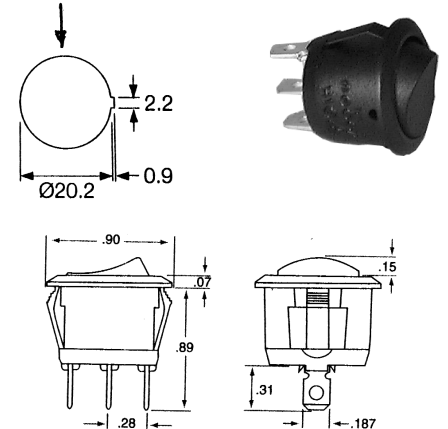
() = Momentary

Panel Cut-out: 20.2mm (.79")
Maximum panel thickness 3.0 mm



SNAP-IN ROUND ROCKER SWITCHES

PANEL CUT-OUT (mm)



LIGHTED SNAP-IN ROUND ROCKER SWITCHES

Current Rating:	6A 250VAC, 10A 125VAC
Initial Contact Resistance:	<50Meg Ohms @12VDC
Insulation Resistance:	>100Meg Ohms
Dielectric Strength (Open Contacts):	>1500V for 1 minute
Contact Material:	Silver Plated Brass
Terminal Material:	Copper Alloy
Body Material:	Nylon (UL 94V-2)
Actuator & Bezel:	Nylon (UL 94V-2)
Terminal Type:	.187" Quick Connect
Lamp Voltage:	AC= 110V, DC= 12V

Part No.	Type	Action	Lamp / Actuator Color
30-16182	SPST	On-Off	AC Lamp, Red
30-16183	SPST	On-Off	AC Lamp, Amber
30-16185	SPST	On-Off	AC Lamp, Green
30-16122	SPST	On-Off	DC Lamp, Red
30-16123	SPST	On-Off	DC Lamp, Amber
30-16125	SPST	On-Off	DC Lamp, Green
30-16126	SPST	On-Off	DC Lamp, Blue

Panel Cut-out: 20.2mm (.79")
Maximum Panel thickness 3.0 mm



PANEL CUT-OUT (mm)

